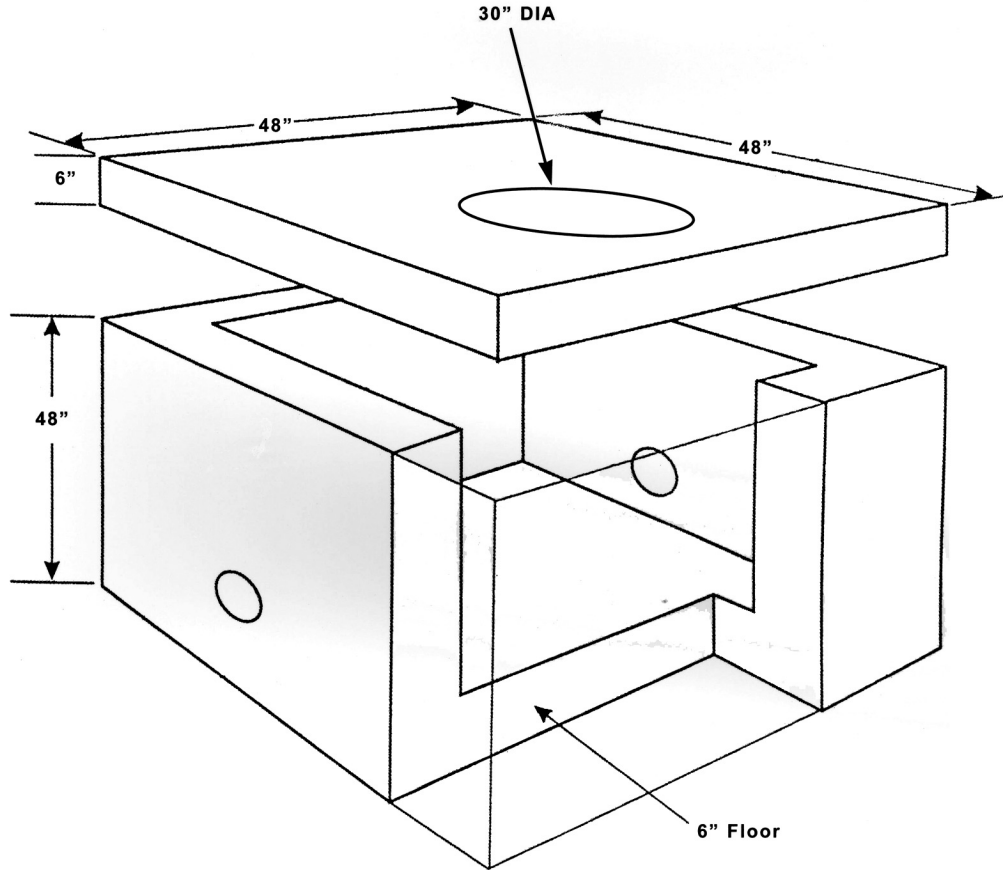
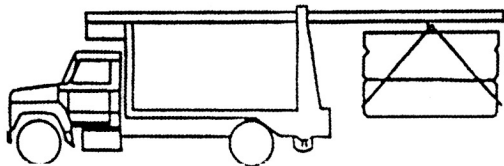


WATER METER VAULT



- Notes:** 1) Concrete minimum strength 4,000 PSI @ 28 days
2) Reinforcement - #4 rebar, grade 40



MID-HUDSON
CONCRETE PRODUCTS, INCORPORATED